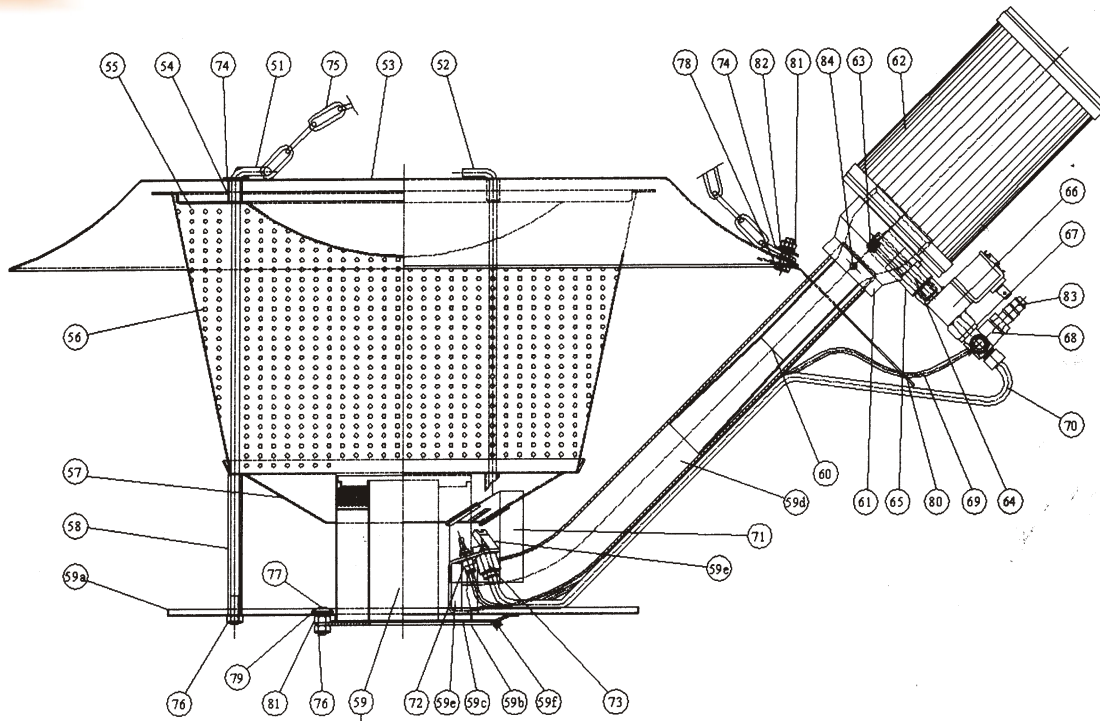






## G12 Pilot Zone Infrared Radiant Heater



#	Description
51	Connection Eye Rod
52	Connection L Rod
53	Reflector
54	Short Spacer
55	Burner Top Plate
56	Emitter
57	Burner Bottom Plate
58	Long Spacer
59	Burner Assembly
60	Venturi
61	Intake Sleeve
62	Dust Filter
63	Burner Jet (specify gas type)
64	Jet Holder
65	Jet Retainer
66	Asco Solenoid
67	1/4 x 1/8 in. Bushing
68	Safety Device
69	Thermocouple
70	Pilot Gas Tube w/fittings
71	Pilot Flame Guard
72	Thermocouple Retainer
73	Pilot Jet specify LP or NG
74	Washer M 6
75	Suspension Chain
76	Lock Nut M 6
77	Carriage Bolt
78	Bolt M6 x 16
80	Burner Flame Guard
81	Nut M6
82	Lock Washer M 6
83	Hose Barb
84	Screw M5 x 10